

OFF SEASON STORAGE

1. Clean and dry Humidifier thoroughly per the **CLEANING** and **FILTER CARE** section. Do not leave any water in the Unit while storing.
2. Dispose of the Evaporative Pad. Do not store a used Evaporative Pad in the Humidifier. Do not dispose of Evaporative Pad Holder.
3. Place Humidifier back in the carton and store in a cool dry place.

TROUBLE SHOOTING GUIDE

TROUBLE	PROBABLE CAUSE	SOLUTION
Foul odor	<ul style="list-style-type: none"> • Filters need to be replaced • Base/reservoir needs to be cleaned • Whole humidifier needs cleaning 	Replace Filter Follow Instructions under CLEANING and FILTER CARE Follow Instructions under CLEANING and FILTER CARE
Filter discoloration	<ul style="list-style-type: none"> • Mineral deposits in water 	Replace Filter
Water discoloration	<ul style="list-style-type: none"> • Humidifier needs to be cleaned • Hard water - Iron in water • Some humidifier additives can cause discoloration 	Follow Instructions under CLEANING and FILTER CARE Use filtered or distilled water
No water show	<ul style="list-style-type: none"> • No water in Humidifier • Hose not connected to water show • Hose not connected to pump 	Fill with cool water Connect Hose to Water Show Connect Hose to Pump

LIMITED WARRANTY

WHAT THIS WARRANTY COVERS: This product is warranted against defects in workmanship and/or materials.

HOW LONG THIS WARRANTY LASTS: This warranty extends only to the original purchaser of the product and lasts for one (1) year from the date of original purchase or until the original purchaser of the product sells or transfers the product, whichever first occurs.

WHAT LASKO WILL DO: During the warranty period, Lasko will, at its sole option, repair or replace any part or parts that prove to be defective or replace the whole product with the same or comparable model.

WHAT THIS WARRANTY DOES NOT COVER: This warranty does not apply if the product was damaged or failed because of accident, improper handling or operation, shipping damage, abuse, misuse, unauthorized repairs made or attempted. This warranty does not cover shipping costs for the return of products to Lasko for repair or replacement. Lasko will pay return shipping charges from Lasko following warranty repairs or replacement.

ANY AND ALL WARRANTIES, EXPRESSED OR IMPLIED (INCLUDING, WITHOUT LIMITATION, ANY IMPLIED WARRANTY OF MERCHANTABILITY), LAST ONE YEAR FROM THE DATE OF ORIGINAL PURCHASE OR UNTIL THE ORIGINAL PURCHASER OF THE PRODUCT SELLS OR TRANSFERS THE PRODUCT, WHICHEVER FIRST OCCURS AND IN NO EVENT SHALL LASKO'S LIABILITY UNDER ANY EXPRESS OR IMPLIED WARRANTY INCLUDE (I) INCIDENTAL OR CONSEQUENTIAL DAMAGES FROM ANY CAUSE WHATSOEVER, OR (II) REPLACEMENT OR REPAIR OF ANY HOUSE FUSES, CIRCUIT BREAKERS OR RECEPTACLES. NOTWITHSTANDING ANYTHING TO THE CONTRARY, IN NO EVENT SHALL LASKO'S LIABILITY UNDER ANY EXPRESS OR IMPLIED WARRANTY EXCEED THE PURCHASE PRICE OF THE PRODUCT AND ANY SUCH LIABILITY SHALL TERMINATE UPON THE EXPIRATION OF THE WARRANTY PERIOD.

Some states and provinces do not allow limitations on how long an implied warranty lasts, or the exclusion or limitation of incidental or consequential damages, so these exclusions or limitations may not apply to you. This warranty gives you specific legal rights. You may also have other rights which vary from state to state and province to province.

Proof of purchase is required before a warranty claim will be accepted.

CUSTOMER SERVICE:

Toll-Free (800) 233-0268 · Email: producthelp@laskoproducts.com

Our Customer Service team is available to assist you with product questions, service center locations, and replacement parts. They can be reached Monday through Friday, 8am-5pm Eastern. Please have your model number available, as well as the type and style.

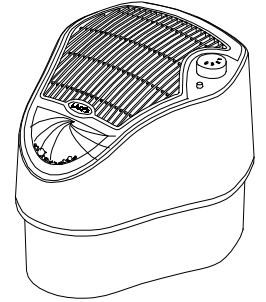
LASKO
Innovators in Home Comfort

EVAPORATIVE

HIGH PERFORMANCE

RECIRCULATING HUMIDIFIER

Model 1115



IMPORTANT SAFETY INSTRUCTIONS

READ AND SAVE THESE INSTRUCTIONS

Congratulations on your purchase of the Recirculating Evaporative Humidifier. Featuring the unique use of pump driven water circulation, this unit provides exclusive features that no other humidifiers offer.

IMPORTANT INFORMATION and FEATURES

Your Recirculating Humidifier is an **EVAPORATIVE TYPE HUMIDIFIER**. This means that the air being drawn through the moistened filter naturally evaporates the water and disperses **INVISIBLE MOISTURE** into the air. This type of humidifier **DOES NOT PRODUCE MIST, WATER DROPLETS, STEAM OR EXCESSIVE CONDENSATION** associated with other types of humidifiers.

EXCESSIVE HUMIDITY CAN OFTEN LEAD TO UNANTICIPATED PROBLEMS. Air containing water droplets or mist can create a good habitat for the growth of mold and mildew.

Misting units often oversaturate the air, while the Lasko Recirculating Evaporative Humidifier reaches a maximum humidity output level without oversaturating. With a properly operating Evaporative Humidifier, the evaporation rate increases naturally when the air is dry. When the humidity in your home is high, moisture output automatically decreases to help prevent damaging condensation.

The Watershow Viewing Window provides a visible way for you to know that your Humidifier is operating. As air passes through the filter, the humidity in the room will increase, and the water level in the Unit will begin to decrease.

Unlike misting humidifiers, the Evaporative Filter in your Recirculating Humidifier also traps unwanted minerals that reside in normal tap water. This filtering also assures there is **NO WHITE DUST** dispersed into the air.

NOTE: A few droplets of water may be present in your humidifier as a result of our quality testing prior to packaging and shipment.

GENERAL SAFETY INFORMATION

When using electrical appliances, basic precautions should always be followed to reduce the risk of fire, electric shock and injury to persons, including the following:

1. Make certain that the power source conforms to the electrical requirements of the Humidifier.
2. Where possible, avoid the use of extension cords. If you must use an extension cord, minimize the risk of overheating by using the shortest cord possible and ensuring that it is UL Listed. **NEVER** use a single extension cord to operate more than one appliance.
3. Do not insert fingers or foreign objects into the Humidifier. Do not block or tamper with the Humidifier in any manner while it is in operation. **NEVER** tilt or attempt to move the Humidifier while it is operating.

4. Always unplug the Humidifier before filling, servicing or moving the Humidifier.

WARNING: DO NOT DEPEND ON THE ON/OFF KNOB AS THE SOLE MEANS OF DISCONNECTING POWER WHEN FILLING, SERVICING OR MOVING THE HUMIDIFIER. ALWAYS UNPLUG THE POWER CORD.

5. This Humidifier is intended for general use only. It must **NOT** be used in potentially dangerous locations such as flammable, explosive, chemical-laden or wet atmospheres.

WARNING: REDUCE THE RISK OF FIRE OR ELECTRIC SHOCK - DO NOT USE THIS HUMIDIFIER WITH ANY SOLID STATE SPEED CONTROL DEVICES.

6. Always place the humidifier on a stable, flat level surface when operating, to avoid the risk of the Humidifier overturning. Locate the power cord so the Humidifier or other objects are not resting on it. Keep the power cord away from room traffic.

7. Do not place Humidifier near a heat source such as stoves, radiators or heaters.

This appliance has a polarized plug (one blade is wider than the other). To reduce the risk of electric shock, this plug is intended to fit in a polarized outlet only one way. **Match wide blade of plug to wide slot. Fully insert.** If the plug does not fit fully in the outlet, reverse the plug. If it still does not fit, contact a qualified electrician. **DO NOT** attempt to defeat this safety feature.

This plug is a safety feature, to reduce the risk of fire, electric shock and personal injury. **DO NOT** remove, replace, repair or tamper with the originally supplied plug. If the Fan does not function properly, it may be due to the safety device incorporated in this plug. Return to an authorized service center or call 800-233-0268, Monday - Friday, between 8:00 a.m. and 5:00 p.m. EST. If the plug warning label is missing or damaged, call the toll free number for a replacement label.

8. Always direct air flow away from walls or furniture as excessive moisture may cause damage.

9. Humidifiers require regular cleaning to maintain proper operating conditions. Refer to **CLEANING** and **FILTER CARE** for proper cleaning procedures.

10. Do not place Humidifier on an electrical appliance.

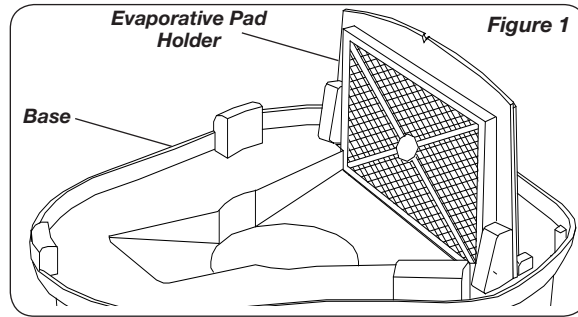
11. This Humidifier is not suitable for use in agricultural facilities including areas where livestock, poultry or other animals are confined. Please refer to National Electric Code (NEC) Article 547-7 (2008), or applicable state or local codes or standards relating to electrical requirements for Agricultural Buildings. **THIS HUMIDIFIER DOES NOT MEET THE REQUIREMENTS OF NEC ARTICLE 547-7 (2008).**

12. This Humidifier is not suitable for use in hazardous locations. Please refer to National Electric Code (NEC) Article 500 or applicable state or local codes or standards relating to electrical requirements for Hazardous locations. **THIS HUMIDIFIER DOES NOT MEET THE REQUIREMENTS OF NEC ARTICLE 500 (2008).**

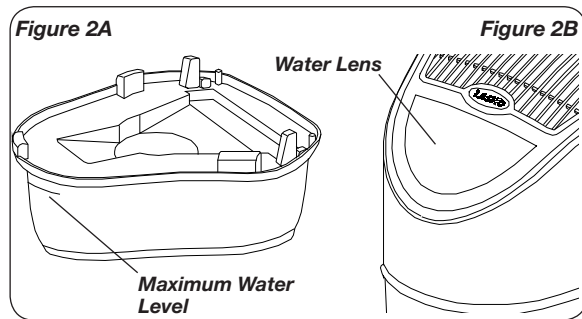
SAVE THESE INSTRUCTIONS

FILLING HUMIDIFIER

1. It is recommended that all Humidifiers be cleaned prior to use. Please read the **CLEANING and FILTER CARE** section on page 3 for cleaning instructions.
2. Remove the Upper Housing from the Base. Make sure that the **Evaporative Pad Holder** is properly placed in the Base. (Figure 1)



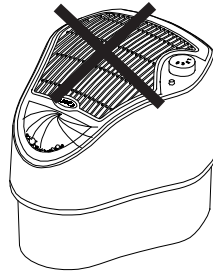
3. The Humidifier unit will produce approximately 3 gallons in a 24 hour period*, however, the actual water capacity (amount of water the Humidifier will hold at one time) is 1.75 gallons.
4. You may fill your Recirculating Evaporative Humidifier two different ways:
 - A) Fill the Base with cool water to level indicated in Figure 2A.
 - B) Replace the Upper Housing on the Base and push Water Lens down to pour water into the Humidifier (Figure 2B) until it reaches the level indicated in Figure 2A.



**DO NOT OVERFILL UNIT.
OVERFILLING THE HUMIDIFIER WILL
CAUSE MOTOR DAMAGE.**

**NEVER USE HOT WATER WHEN FILLING
HUMIDIFIER.**

CAUTION: Do not pour water through the Exhaust Grill on the Upper Housing. Doing so may cause damage and personal injury.



OPERATION INSTRUCTIONS

CAUTION: Always place Humidifier on a firm and level surface. Locate the Power Cord so the Humidifier is not resting on it, and the cord is away from room traffic.

Always carry filled Humidifier carefully. Never move water filled Humidifier while plugged in.

1. Take extra care to prevent water spillage that may damage furniture or flooring. The manufacturer will not accept responsibility for damage to property caused by water spillage.
2. Always be sure that the Power Control Knob is in the OFF (0) position when plugging Humidifier into a polarized 120 volt AC wall outlet.

CAUTION: Do not Plug Humidifier into electrical outlet with wet hands, or electrical shock may occur.

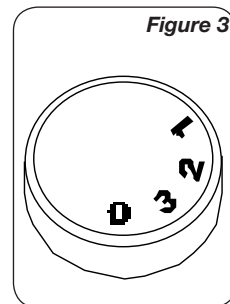
3. Set Moisture Control Knob to regulate desired amount of humidity. (Figure 3)

HIGH (3): For fast humidification of a large room. This setting will provide approximately 3 gallons of moisture output in a 24 hour period.*

MED (2): For normal operation.

LOW (1): For quiet, night time operation.

OFF (0): Turn unit off when refilling, cleaning or moving the humidifier.



* Calculations based on ambient conditions of 70° F and 30% relative humidity in a room of average insulation.

4. Water usage will vary depending upon initial humidity level in the room. If humidity is low, the Unit will use water more rapidly until the humidity in the room is stabilized. If the humidity is already near or above 50% relative humidity, water consumption will be low.

CAUTION: Be careful not to direct airflow towards walls or furniture, as excessive moisture may cause damage.

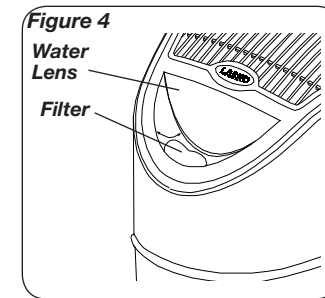
5. Refill Humidifier when water level in the Base is low. Refer to the **FILLING HUMIDIFIER** section above.
6. If you do not plan to use your Humidifier for several days, empty all water from the Unit. Standing water may provide an environment for the growth of algae or bacteria.

CLEANING and FILTER CARE

1. Regular cleaning is necessary to ensure proper and efficient operation. The frequency of cleaning depends on the amount of impurities which may be found in the water or how often the Humidifier is in operation. In either instance, it is recommended that the Humidifier be cleaned at least once a week.

CAUTION: To prevent electric shock, always turn Control Knob to OFF (0) position and unplug the Humidifier before cleaning.

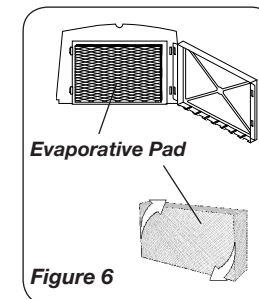
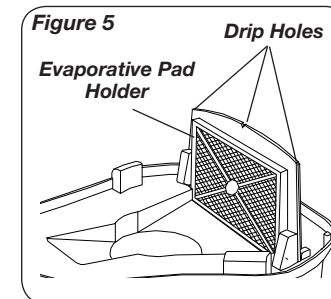
2. Remove Upper Housing from Base. Be careful not to let excess water from pump spill onto furniture or flooring.
3. With Water Lens pushed down, the filter may be removed for cleaning or replacing. (Figure 4)



4. Remove Evaporative Pad Holder from Base and inspect Small Water Drip Holes for any blockage. (Figure 5)

It is important that these Drip Holes remain open at all times for proper water supply to Evaporative Pad.

5. To increase the life of your Evaporative Pad, unsnap Holder, remove Pad and flip over. (Figure 6)



Evaporative Pad life may be extended by cleaning the Pad in a vinegar solution. To clean Pad, mix one part undiluted vinegar with four parts warm tap water. Soak the Pad in this solution for 20 minutes, rinse Pad thoroughly with warm water to remove vinegar odor.

**DO NOT FLATTEN, SQUEEZE OR TWIST FILTER
WHEN CLEANING.**

6. Discoloration of the Evaporative Pad is normal after extended use. The discoloration is caused by mineral deposits in the water, and the degree of discoloration will vary depending upon the amount of mineral content in the water. When the Pad surface area is thoroughly discolored, or you notice reduced water usage, it is a good indicator that the Evaporative Pad needs to be replaced. The Evaporative Pad should be replaced at least once every season.

The Replacement Pad to be used in this unit is: The Lasko Replacement Evaporative Pad Model THF 15 (Available Separately)

7. **TO DESCALE BASE AND DRIP SHIELD:** Mix one part undiluted white vinegar with four parts warm tap water. Let vinegar solution stand for 20 minutes then wipe away any scale buildup using a soft brush or cloth. Do not use soap or detergents and never use an abrasive cleaner.
8. **TO DISINFECT BASE AND DRIP SHIELD:** Fill with 1 teaspoon of chlorine bleach and 1 gallon of water. Let solution stand for 20 minutes. Carefully empty Jug and rinse well with water until bleach smell is gone.
9. Use a dry soft cloth to wipe the Chassis area, which includes the motor area. DO NOT use water to clean the Motor or Switch area. Doing so may result in electrical shock or damage to the Humidifier.
10. Commercial "Descalers" and "Bacteriostats" are available at your local home improvement center.
11. Do not operate Humidifier when there is still cleaner in the water.